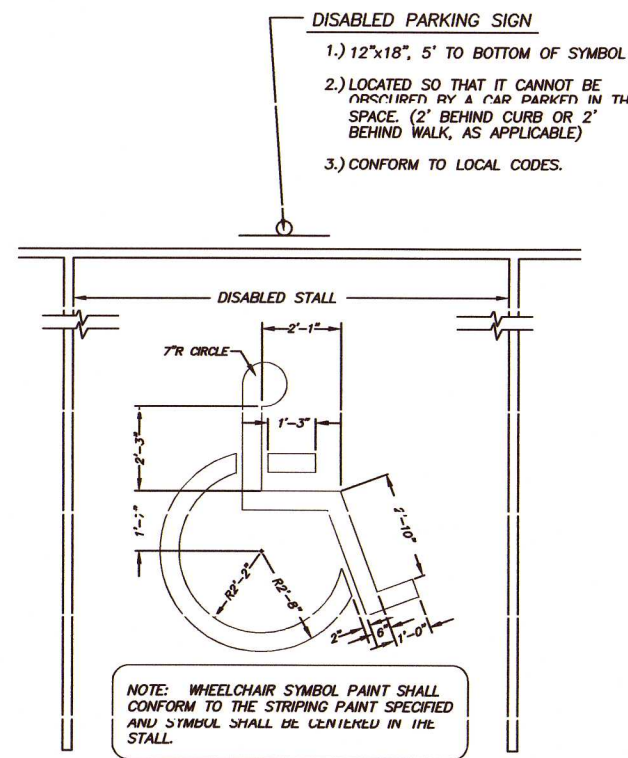
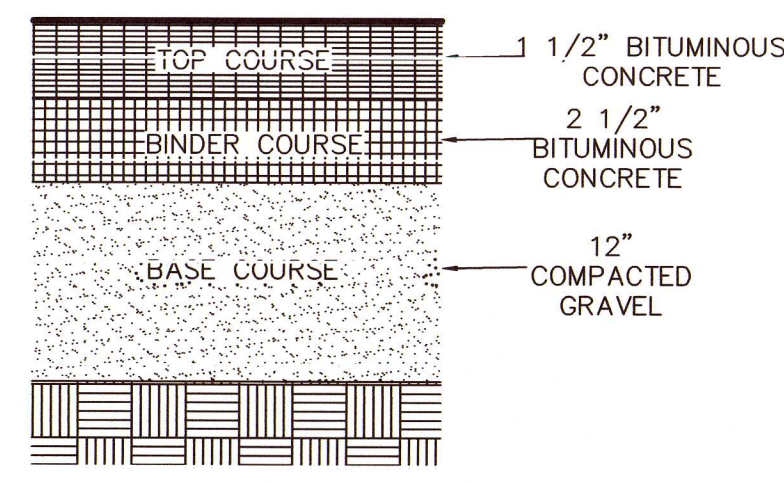


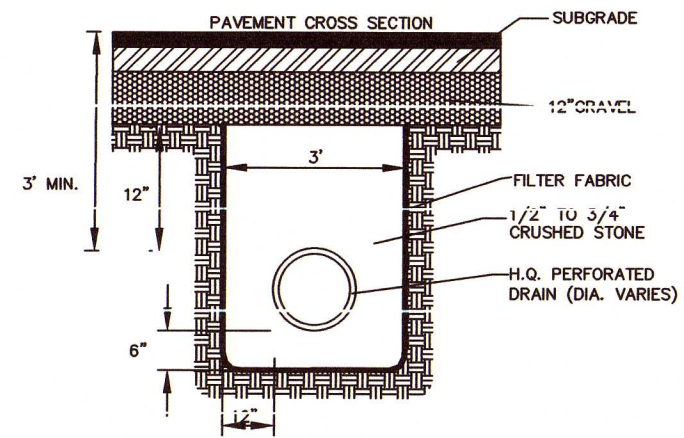
**HANDICAP PARKING SIGN DETAIL**  
N.T.S.



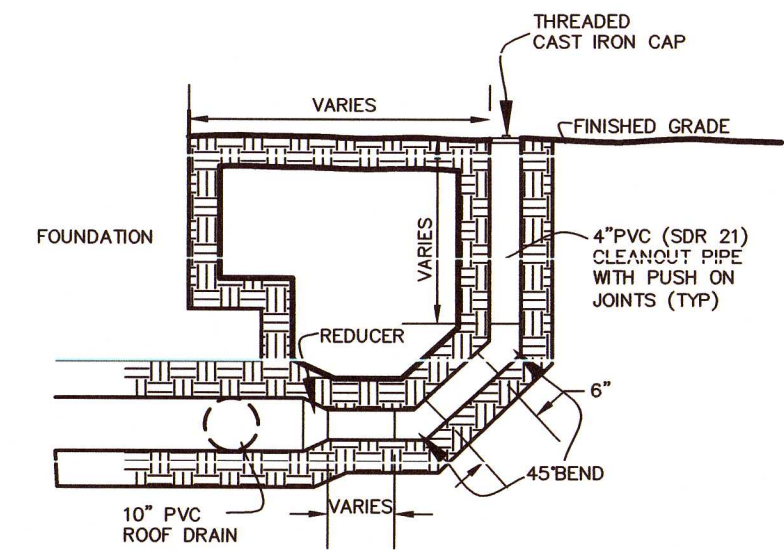
**DISABLED PARKING SPACE DETAIL**



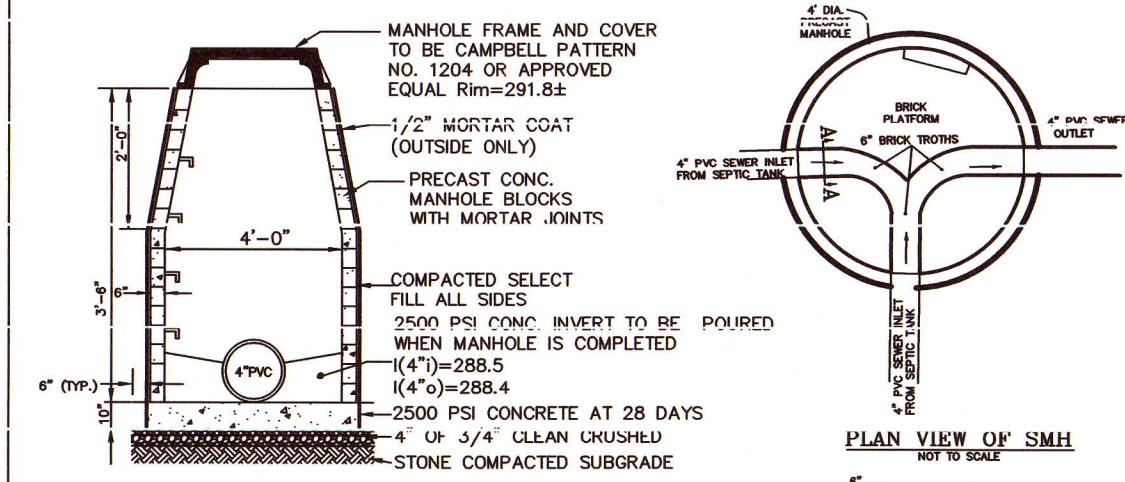
**TYPICAL PAVEMENT SECTION**  
N.T.S.



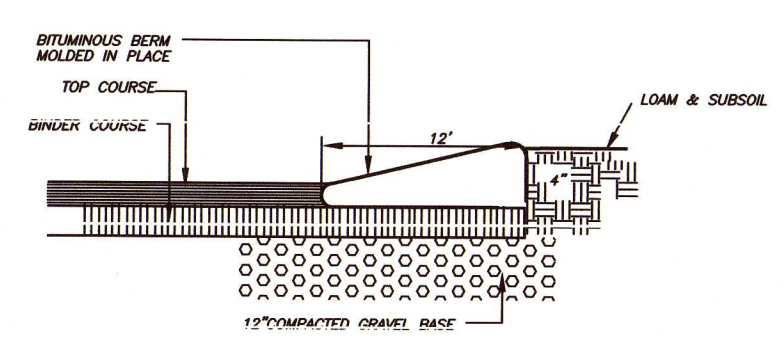
**TYPICAL TRENCH DETAIL  
SBHDPE DRAIN PIPE**  
N.T.S.



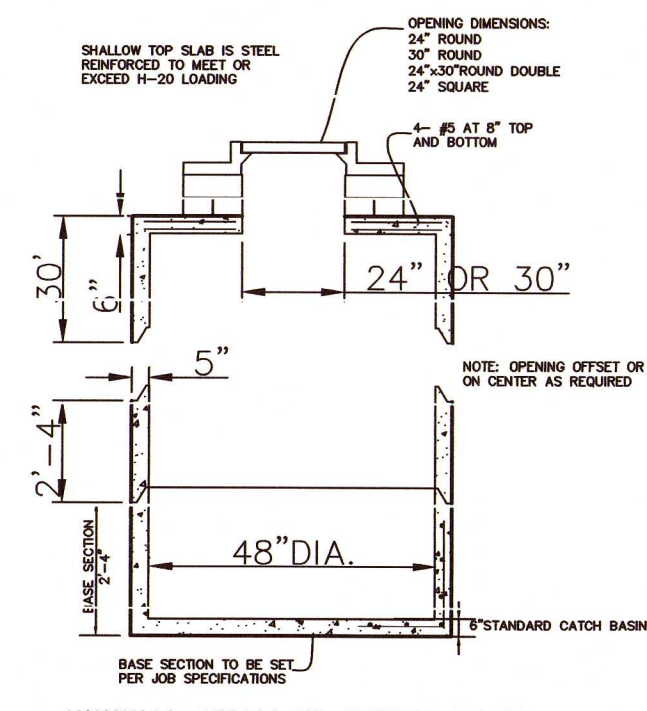
**TYPICAL ROOF DRAIN & CLEANOUT**



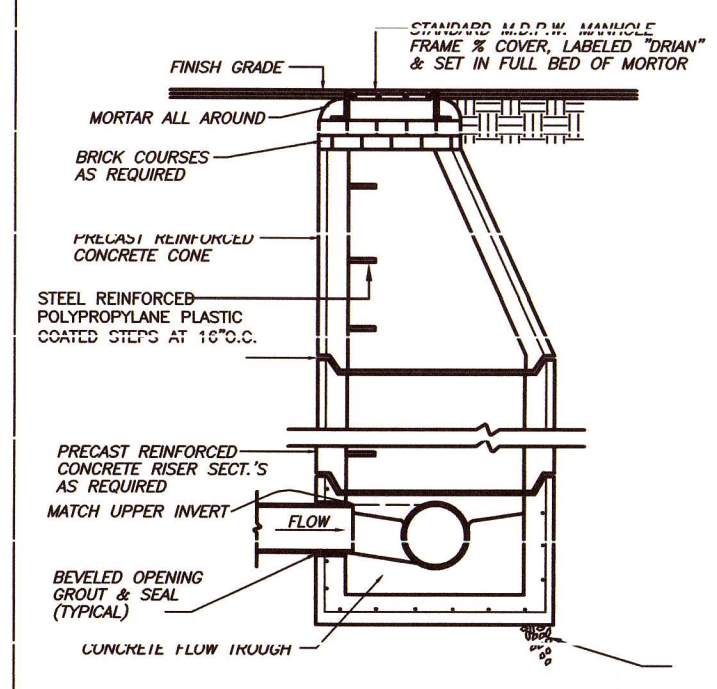
**SEPTIC SEWER MANHOLE**



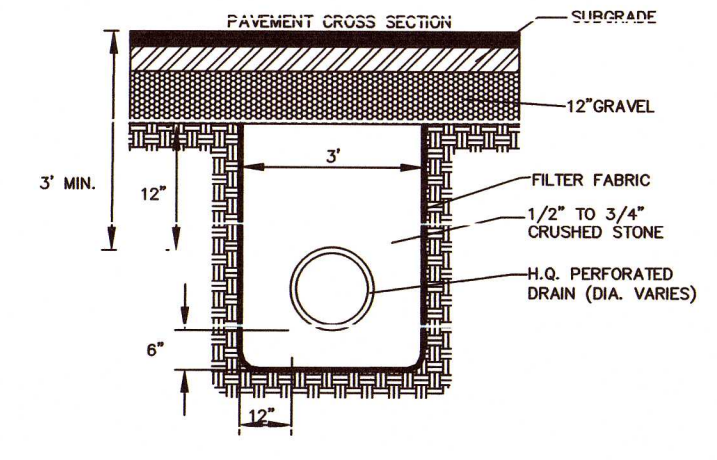
**MODIFIED CAPE COD**  
N.T.S.



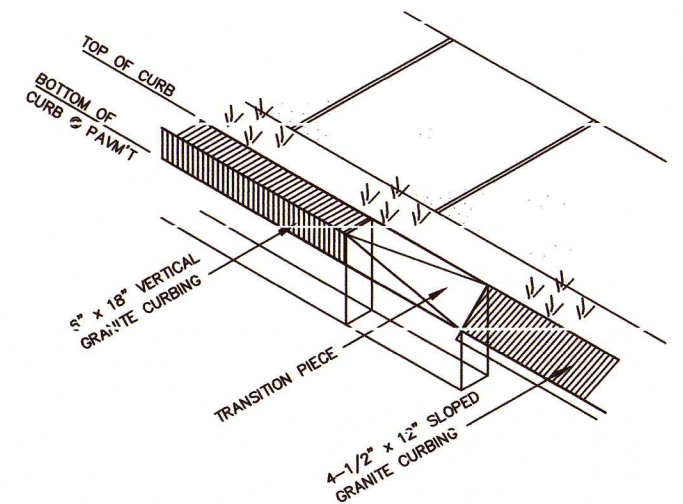
**SHALLOW CATCH BASIN DETAIL**  
N.T.S.



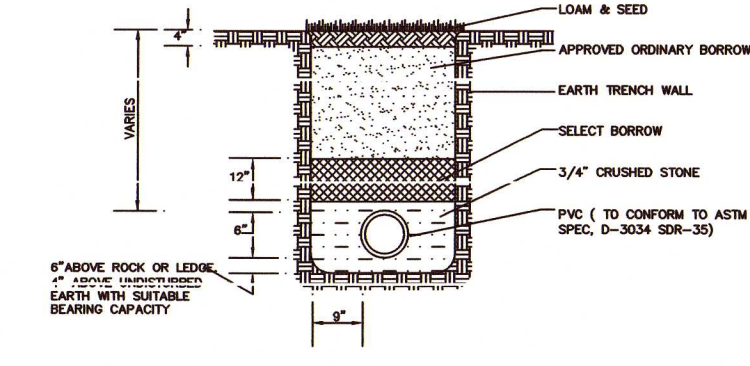
**PRECAST CONCRETE DRAIN MANHOLE**



**TYPICAL TRENCH DETAIL  
SBHDPE DRAIN PIPE**  
N.T.S.



**CURB TRANSITION DETAIL**  
N.T.S. (VERTICAL TO SLOPED)



**PVC PIPE  
TRENCH SECTION**  
N.T.S.

PROFESSIONAL ENGINEER DATE

SITE PLAN APPROVED  
TOWN OF MENDON PLANNING BOARD

DATE: \_\_\_\_\_  
BEING A MAJORITY

**NOTES**

NOTE: CONSTRUCTION ON THIS PROJECT IS SUBJECT TO ANY EASEMENTS, RIGHTS-OF-WAY, RESTRICTIONS, RESERVATIONS OR OTHER LIMITATIONS WHICH MAY BE REVEALED BY AN EXAMINATION OF THE TITLE.



**DIG SAFE NOTE:**

UTILITIES ARE PLOTTED FROM FIELD LOCATION AND ANY RECORD INFORMATION AVAILABLE, AND SHOULD BE CONSIDERED APPROXIMATE. OTHER UTILITIES MAY EXIST WHICH ARE NOT EVIDENT OR FOR WHICH RECORD INFORMATION WAS NOT AVAILABLE. CONTRACTORS IN ACCORDANCE WITH MASS. CHAP. 82 SECTION 40 AS AMENDED MUST CONTACT ALL UTILITY COMPANIES BEFORE EXCAVATING AND DRILLING. ALSO, CALL "DIG-SAFE" AT (888)344-7233 [(888)303-SAFE]. EXISTING LINES OTHER THAN THOSE INDICATED ON THESE DRAWINGS MAY BE ON THE SITE. THE CONTRACTOR IS WARNED TO PROCEED WITH CAUTION WITH ALL WORK, ESPECIALLY EXCAVATION WORK, AND TO MAKE ALL POSSIBLE INVESTIGATIONS AS TO POSSIBLE UNMARKED UTILITY LINES.

**LEGEND**

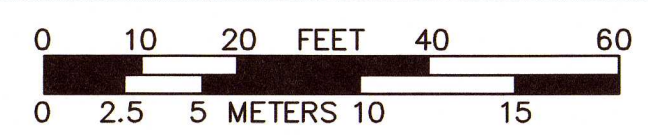
OWNER:  
GOLD MEDALIST LLC  
25 CAPE ROAD,  
MENDON, MA.

APPLICANT:  
ABRAHAM JREIJ  
234 WEST STREET  
MILFORD, MA 01757  
508-473-5800

**21 CAPE ROAD**

"DETAIL SHEET"  
AMENDED SITE  
PLAN OF LAND  
IN  
**MENDON, MA**  
SCALE: 20 FEET TO AN INCH  
DATE: JUNE 16, 2020

REV.	DATE	REVISIONS	COMMENT



**The Meehan Group**

P.O. BOX 444, MENDON, MA 01756 •  
PHONE 508-473-7900 • FAX 508-634-5456